

# Charles Daly®

The Shooting Sports Specialist™

## SAFETY & INSTRUCTION MANUAL

### RAK & PAK



**READ THE INSTRUCTIONS AND WARNINGS IN THIS  
MANUAL CAREFULLY BEFORE USING THIS FIREARM.**



# TABLE OF CONTENTS

<b>WARNINGS</b> .....	<b>4</b>
<b>SAFETY RULES</b> .....	<b>5</b>
<b>DESCRIPTIONS &amp; SPECS</b> .....	<b>7</b>
<b>LOADING</b> .....	<b>9</b>
<b>UNLOADING</b> .....	<b>10</b>
<b>FIRING</b> .....	<b>10</b>
<b>DISASSEMBLY</b> .....	<b>10</b>
<b>REASSEMBLY</b> .....	<b>12</b>
<b>CLEANING &amp; MAINTENANCE</b> .....	<b>12</b>
<b>EXPLODED VIEWS &amp; PARTS LIST</b> .....	<b>13</b>
<b>WARRANTY CONDITIONS</b> .....	<b>16</b>



**WARNING! DO NOT DRY FIRE.**

# WARNINGS

The manufacturer is not responsible for damage to objects caused by misuse of the gun or for injuries to persons or animals, or in case of death, caused voluntarily or involuntarily by the gun user.

The manufacturer is not responsible for injuries caused by poor maintenance, misuse of the gun, unauthorized or improper modifications.

The manufacturer declines responsibility for the indirect consequences of any injuries and / or death of persons or animals, damage to objects caused by use of the gun or by primer explosion, by bullet's ricochet, or unsafe loading practices and / or procedure.

Read the entire manual and learn the proper use of the gun without live ammunition. It is important that you understand the proper use of this product. The life of the people close to you may depend on your safe behavior.

If the manual is not clear, please contact the dealer where you bought the gun or call the distributor or the manufacturer by using the contact information provided within this manual.

**The manufacturer declines any responsibility for misuse of the firearm. In case of alteration of the firearm, The manufacturer declines any civil and penal responsibility and will not refund any damage.**

**Quality Inspection:** Every firearm is thoroughly inspected by the manufacturer, for function and cosmetic blemish, prior to shipment.

To guarantee the gun is safe, all guns produced in the Italian facility are sent to the National Proof House in Gardone Val Trompia - Brescia, Italy for proof testing, in compliance with Italian law. The Proof House tests the firearm with heavy loads then checks the barrel, chamber and head space to make certain the firearm is safe for use with standard factory ammunition. The National Proof House will put their markings on the gun, certifying the gun is qualified and can be sold.

Guns produced in our US facility or Turkey are scrupulously tested at the manufacturing premises.

**⚠ WARNING: Discharging firearms in poorly ventilated areas, cleaning firearms, or handling ammunition may result in exposure to lead or other substances known to the State of California to cause birth defects, reproductive harm, and other serious physical injury. Have adequate ventilation at all times. Wash hands thoroughly after exposure.**

**ANY LEGAL DISPUTE WILL BE UNDER THE JURISDICTION OF A COURT IN THE STATE OF OHIO – USA, OR IN THE COURT OF BRESCIA – ITALY, AT OUR DISCRETION.**

# SAFETY RULES

1. Read the instructions carefully before use. Reading the manual and careful examination of the gun are fundamental to avoid any kind of problem.
2. Be aware that you are handling a firearm; therefore your knowledge and behavior may affect your life and those of the people close to you.
3. Guns and ammunitions must be kept in separate places.
4. Always keep guns and ammunitions out of reach of children.
5. Store the gun in a clean, dry and airy place after use to avoid rust in mechanical parts that may cause serious problems in functioning after a period of inactivity.
6. The gun must always be stored unloaded, always check that the chamber is empty.
7. Keep away from open flames or heating sources.
8. Never leave a loaded gun unattended.
9. Never leave the weapon loaded, it could fall and cause injury and death. Always point the gun in a safe direction, and handle it as though it were loaded. This is especially important when loading and unloading the gun and when handing it to someone else. Never take someone's word that it is unloaded. Always make sure the gun is unloaded before laying it down or handing it to someone else.
10. After use, clean and lubricate the inside of the barrel with appropriate oil. Grease or oil build up can cause excessive pressure and result in serious personal injuries. Before using the gun again, inspect the barrel and chamber to make certain that there are no obstructions in the bore. Remove any oil residue with rod and dry patch before shooting.
11. Accumulation of rust in the barrel can cause excessive pressures resulting in serious injury and may cause the explosion of the barrel. A rusted, pitted or eroded barrel should be replaced.
12. Before shooting always check to ensure that the barrel is free of obstructions.
13. Never force a jammed action, this act could cause explosion of the round and consequent injury.
14. Use factory loaded ammunition of the caliber specified on the firearm barrel. Use of different calibers may cause serious personal injuries to you and to people close to you.
15. In case of misfire, manually extract the cartridge from the chamber. If firearm fails to fire when trigger is pulled, as a result of slow primer ignition (hang fire), keep muzzle pointed downrange for a minimum of 30 seconds. If the round does not fire, remove the magazine, clear the weapon and examine the ejected, unfired cartridge. If the indent from the firing pin is off center, light or absent, take the gun to a competent gunsmith. If the indent appears normal compared to other rounds, assume a faulty round, separate from other cartridges, reload and continue shooting.
16. Do not attempt to re-use unexploded ammunitions.
17. Never modify any parts of your gun. Any alteration may cause serious personal injury and voids the warranty.
18. Only a qualified gunsmith may service the gun for repair or serious maintenance.
19. Pay great attention during transportation and use. Mechanical safety devices can fail. Developing intelligent, good safety habits is the best way to prevent accidents.
20. Never rest your finger on the trigger until the very moment you wish to shoot. Always keep the safety on until you are ready to safely shoot at an intended target. **NOTE:** Safety devices on guns are extras and are not a substitute for your proper and safe handling practices.
21. Always keep the gun unloaded when transporting it from home to the shooting areas. Carefully check that cartridge chamber is empty.
22. When you walk around with the gun in a shooting area, always keep the muzzle pointed in a safe direction.
23. Never run with a loaded gun, do not cross any obstacle (fences or water courses, etc.) or walk where there is any possibility of slipping or falling without having your firearm unloaded and in safety position.
24. When selecting a place to shoot, always be absolutely sure of your target and the area behind it before you touch the trigger, making sure there is an adequate backstop which will stop and contain bullets. A bullet can travel through or past your target with a range up to 1.5 miles. If you have any doubt, do not shoot.

25. Never shoot against a solid surface or in a pool of water, the projectiles could ricochet and shoot toward any direction. Do not shoot up into the sky.
26. Keep all bystanders behind you, standing beside a shooter is not a safe position. Make sure all other shooters and bystanders are well away from the ejection port.
27. Do not smoke while handling, loading or shooting any ammunition, especially black powder. Keep black powder in a closed container at all times, re-closing the container after each and every use.
28. Never drink alcoholic beverages or take any drugs before or during shooting, as this not only constitutes criminal disregard for your safety and that of others, but will seriously impair your judgment and vision. Never use a gun while you are taking medication unless you have checked with your doctor to ensure your fitness to handle the gun safely.
29. Always wear and encourage others near you to wear proper ear protection when shooting, especially on a range since the noise from your gun and other guns close to you, could result in permanent hearing loss.
30. Always wear protective shooting glasses to protect your eyes from injury by gun powder, gas, lubricant, dirt or metallic particles, carbon residue, sparks or other debris.
31. Wash hands thoroughly after shooting and handling firearms to remove any unwanted residues.
32. Never leave the loaded firearm or the loaded magazine in the sun.
33. By replica firearms there is no modern safety, in this case you must pay even more attention to safety rules.

**REMEMBER:** No mechanical safety device is infallible. The user is responsible for injuries or damages caused to him or to other persons. Complete knowledge of your firearm can make the difference.

## IDENTIFYING MARKINGS

Every gun we produce has a serial number that is marked on the receiver/frame. Close to the serial number you will also find the manufacturer's information with the model name and caliber marked either on the frame or the slide as required by law.

**These markings must not be removed from the firearm for any reason.**

# DESCRIPTION & SPECS

The PAK 9 pistol is chambered in 9mm Luger caliber, developed by our company, based on the generous AK platform. The gun is a short barrel version, semi-automatic, recoil operated system. Designed as a caliber extension in 9mm Luger of the very famous AK 47 assault rifle, the pistol preserves as much of the AK design. All the modifications imposed by the new operating system and the new caliber, were made altering as little as possible the original shape. The lower hand guard/magazine well, is a part mounted in the original shape and dimensions of the receiver's window, which hold an adapter for the desired magazine; you can use different types of magazines replacing the adapter with one that fits. In addition, the Picatinny rails on the pistol are very suitable for attachment of different accessories.

## Specifications

**Model:** PAK 9

**Caliber:** 9x19 mm Luger

**Overall Length:** 14.25"

**Height:** 7.56"

**Barrel Length:** 6.30"

**Action:** Recoil Operated, Single Action, Semi-Automatic

**Sights:** Front - Blade, Adjustable in Elevation & Windage.

Rear - Fixed Mounted on Picatinny Rail

**Safety:** Manually Operated Lever

**Magazine Capacity:** 10 Round, Optional Capacities Available.



The PAK 9 pistol functions like the other semi-automatic pistols, designed on the AK platform. From the loaded magazine, inserted in the pistol, the bolt, retracted manually until it's fully end position, released to fit the chamber with the first cartridge. The pistol is ready to fire, the shooter pulls the trigger and the pistol fires a round. The bolt cycle, the empty cartridge case extracted from the chamber is ejected and a new round is loaded in the chamber; the pistol is ready to fire again.

The RAK 22 rifle is chambered in .22 LR caliber, developed by our company, based on the generous AK platform. It is a design that faithfully recreated the original design, the .22 LR caliber version, semi automatic, recoil operated system. Designed as a caliber extension in .22 LR of the very famous AK 47 assault rifle, the rifle preserves as much of the AK design. All the modifications imposed by the new operating system and the new caliber, were made altering as little as possible the original shape.



## **Specifications**

**Model:** RAK 22

**Caliber:** .22 LR

**Overall Length:** 871 mm [34.29 in]

**Height:** 192 mm [7.56 in]

**Barrel Length:** 438 mm [11.13 in]

**Action:** Recoil Operated, Single Action, Semi-Automatic

**Sights:** Front: Blade, Adjustable in Elevation & Windage / Rear: Leaf, Adjustable in Elevation

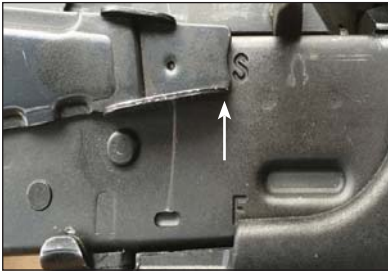
**Safety:** Manually Operated Lever

**Magazine Capacity:** AK Type, 10 Rounds

The RAK 22 rifle functions like the other semi-automatic rifles, designed on the AK platform. From the loaded magazine, inserted in the rifle, retract the bolt rearward manually until it's fully end position, released to load the chamber with the first cartridge. The rifle is ready to fire, the shooter pulls the trigger and the rifle fires a round. With the bolt cycle, the empty cartridge case is extracted from the chamber and ejected and a new round is loaded in the chamber; the rifle is ready to fire again.

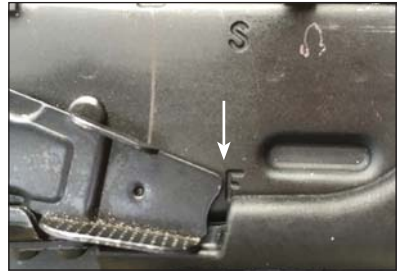


# LOADING



## SAFE"/"S" Position

Safety lever in horizontal position, the gun is in "SAFE"/"S" position, it cannot fire if the trigger is pressed.

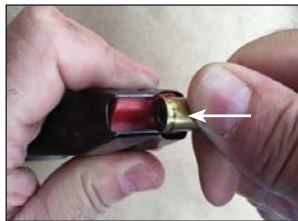


## FIRE"/"F" Position

Safety lever downward, in the fully downward position, "FIRE"/"F" position the gun is ready to fire if the trigger is pulled.

## To Load Magazine

- If the magazine is mounted in the pistol, press the magazine catch button with one hand, and pull the magazine out with the other hand.
- Take the first round of the checked cartridges, hold the magazine in one hand, the cartridge in the other, push downward the magazine's follower with the cartridge case until the cartridge fits under the magazine lips, after that, push the cartridge backward until the cartridge reaches the magazine's rear wall.
- Take the next round and repeat the above process, pushing, this time, downward on the previous round. Continue this way until you fit the number of rounds desired.



## To Load The Gun

- As per Keep the muzzle pointed in a safe direction.
- Check the "SAFE" position of the safety lever, as per, horizontal lever, see above photo.
- Push the loaded magazine in the gun until the magazine catch locks the magazine. Pull the magazine downward to verify the correct mounting. The pistol is ready to be fired.

**⚠ WARNING:** Load the magazine and install in the gun only when you are about to shoot.

## UNLOADING

In compliance with: **KEEP THE MUZZLE POINTED IN A SAFE DIRECTION**, proceeds as follow:

- Extract the magazine; press the magazine catch button, with one hand, and pull the magazine out, with the other hand.
- Operate the bolt to clear the chamber. Visually look to be sure.
- As per, Safety lever horizontal, the gun is secured and unloaded.

## FIRING

- Handle the gun carefully, as per operating rule: **ALWAYS ASSUME THAT A FIREARM IS LOADED.**
- Hold the gun in hand, in compliance with keep the muzzle pointed in a safe direction, and, keep the fingers away from the trigger, check the "SAFE" position of the safety lever, as per, horizontal lever.
- Rotate the safety lever downward, as per, Safety lever in downward position, the gun is in "FIRE"/"F" position Handle the gun carefully, as per operating rule Always assume that a firearm is loaded.
- With the other hand, hold the bolt handle and pull reward to the rear limit position. Release the handle, the bolt will move fast toward the front, engage the cartridge from the magazine and will load the chamber.
- Apply operating rule: **WHEN SHOOTING, USE EYE AND EAR PROTECTION.**
- Align the sights on the target; place the trigger finger on the trigger, slowly press the trigger back to fire the cartridge.
- After firing the gun will cycle, the bolt will move backwards and the extractor will extract and eject the cartridge case, the recoil spring will push the bolt forward which engages a new round and fit the chamber.
- This manner, you can repeat the fire until last round.
- When firing is finished, pull the bolt and look in the chamber to be empty and put the safety lever in the "SAFE" position, as per Safety lever horizontal.
- Extract the magazine, verify to be empty and mount it back to the gun.

## DISASSEMBLY

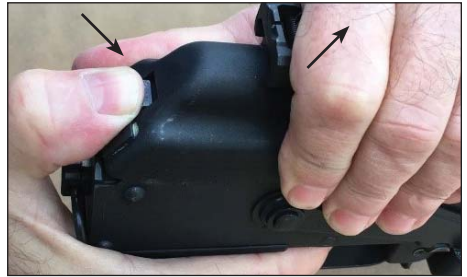
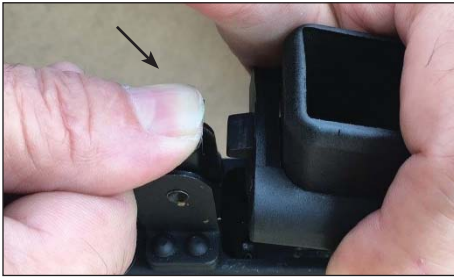
**⚠ ATTENTION:** Use protective gloves and protective glasses.

- Unload the gun.
- With one hand hold the pistol grip, with the thumb of the other hand push in front the magazine well catch, release the magazine well, and dismount it. Extract the adapter.
- Rotate the lower hand guard retainer latch's lever upward (anti-clockwise), release the hand guard to the retainer, and

dismount it pushing in front.

- Press the receiver cover latch's button in front until release the cover to rotate upward to its fully end position.
- Hold firmly in hand the recoil spring and push in front with the thumb the receiver cover latch button until you disengage it from the end turn-ons guide allowing it to extend to its full length. **NOTE:** Handle with care and hold firmly the recoil spring assembly during this operation. The recoil spring is tensioned, can expand and can cause injury.
- Still holding the pistol grip, rotate and pull upward the plastic buffer.
- Pull the bolt backward, until full end position; lift it out of the receiver.

This stage of disassembly is sufficient for you to clean the gun or to study the wear of parts. To replace worn/broken parts of the firing mechanism, the front or rear sights or the firing pin and the extractor, we suggest addressing to an authorized gunsmith.



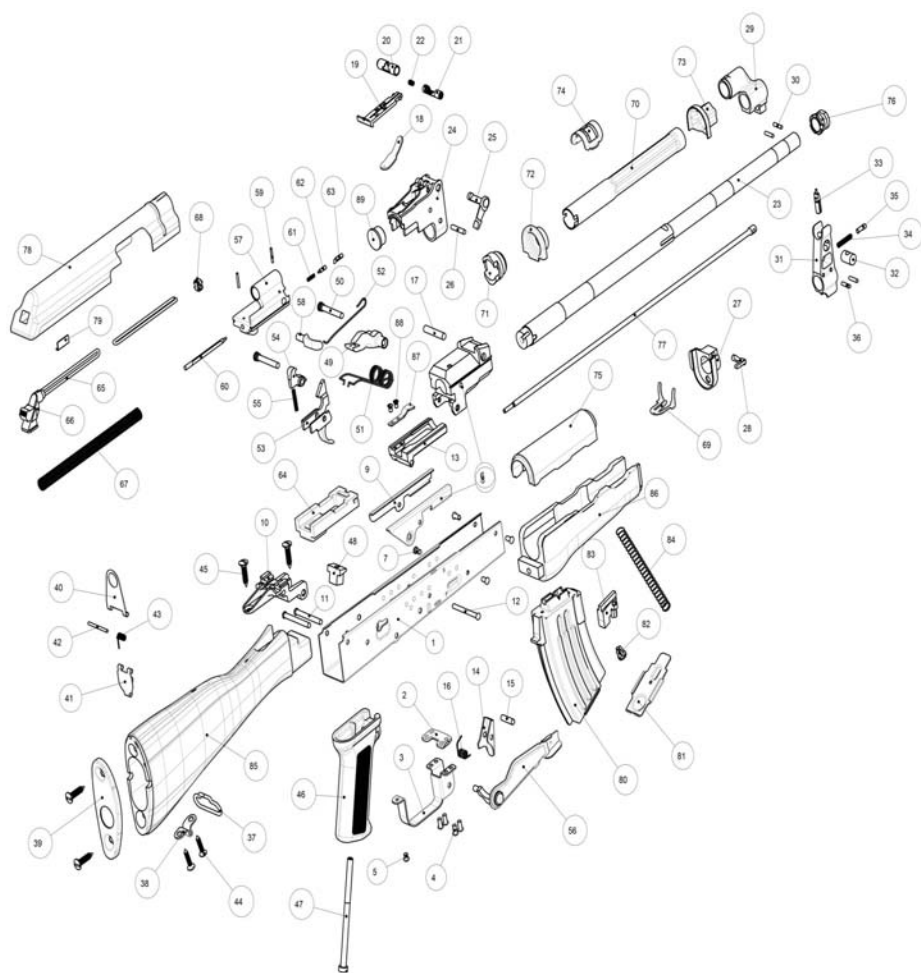
# REASSEMBLY

- Reassembly the adapter; push the adapter (with the magazine catch button in front) into the magazine well.
- Introduce the magazine well catches fang in its place in the magazine well, push in front the magazine well and rotate it to its place, the magazine well catch will block it.
- Reassemble the lower hand guard; press the rear side of the hand guard in the receiver; rotate upward and hold firmly with a hand; with the other hand press the lower hand guard retainer to hold the hand guard in its position; rotate the lower hand guard retainer's lever, clock wise, to block the hand guard.
- Align the bolt guides to the receiver rails in backward position so as the bolt to fit the receiver; push forward the bolt to its fully front position (its cylindrical extension to enter in its housing in rear sight block).
- Reassembly the plastic buffer; put the front of the buffer in its position on the receiver's rails, rotate downward to fit.
- Hold firmly in hand the recoil spring, put it front end in the bolt's hole, press with the thumb the receiver cover latch button until you engage it in the end turn-ons guide, allowing it to extend to it full length. **NOTE:** Handle with care and hold firmly the recoil spring assembly during this operation. The recoil spring is tensioned, can expand and can cause injury.
- Rotate downward the receiver cover until the receiver cover latch button will exit the receiver cover window (you will hear a click).
- Rotate the rear sight leaf, clock wise, to its position.
- Hold the bolt handle and cycle 2-3 times the bolt to be certain that the parts are correctly assembled.
- Secure the gun; rotate the safety lever in horizontal position "SAFE" position.
- Reassembly the magazine; insert the front of magazine in the magazine well/adapter and push it until the magazine catch will block (you will hear a click); pull the magazine to make certain it is correctly assembled.

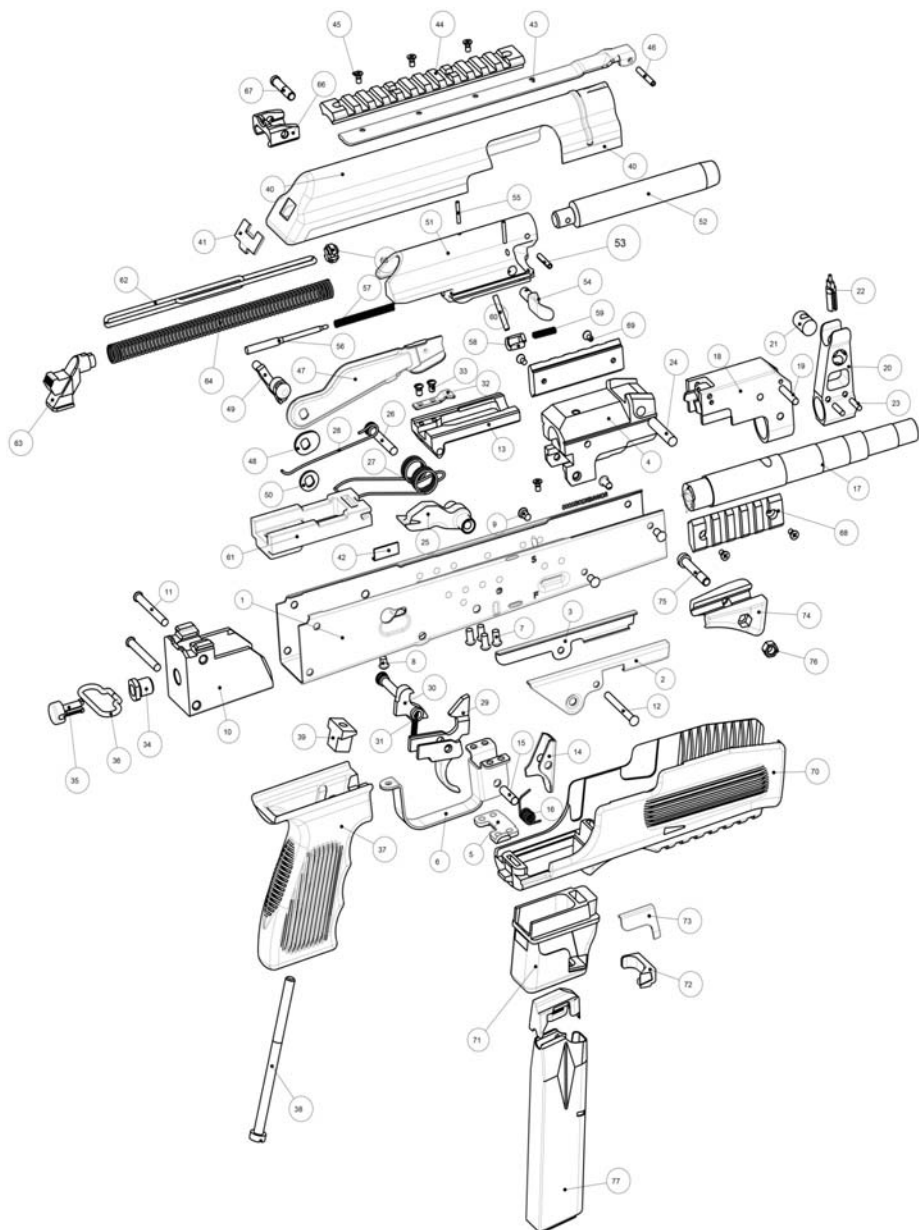
# CLEANING & MAINTENANCE

- Purchase a cleaning kit, corresponding to the right caliber and barrel length, soft cloth (preferably cotton cloth), cleaning solution, preservative oil; choose the best quality ones. The use of these products must comply with the instructions for use, specific to each item.
- Disassemble the gun.
- Push through the barrel the right caliber cylindrical brush, attached to the cleaning rod, dipped in cleaning solution, 3-4 times.
- Whip the barrel bore with a cloth/cleaning patch attached to the cleaning rod. Push the rod through the barrel bore several times.
- Point the barrel muzzle at a light source and through the chamber end inspect visually the barrel to make certain that the bore surface is clean. If the bore is not clean, repeat all the operations until the bore will be clean.
- Using a brush, dipped in cleaning solution, clean the bolt, receiver, inside and outside. Whip to dry all the surfaces, internal/external.
- With a cloth dipped in the metal preservative oil; apply a thin oil coat on all the surfaces of the parts.
- Proceed the same way with all the rest of the parts, including the magazine.
- Reassemble the gun.

# EXPLODED VIEW



# EXPLODED VIEW



# PARTS LIST

## Rifle

#	QTY.	DESCRIPTION	#	QTY.	DESCRIPTION	#	QTY.	DESCRIPTION
1.	1	Receiver Shell	31.	1	Front Sight Base	61.	1	Extractor Spring
2.	1	Safety Lever Stop	32.	1	Front Sight Adjusting Block	62.	1	Front Extractor Pin
3.	1	Trigger Guard	33.	1	Front Sight	63.	1	Extractor
4.	6	Short Rivet	34.	1	Barrel Bushing Lock Spring	64.	1	Buffer
5.	1	Short Rivet	35.	1	Barrel Bushing Lock	65.	2	Rear Recoil Spring Guide
6.	1	Front Trunnion	36.	2	Front Sight Base Pin	66.	1	Rear Spring Guide Breech
7.	2	Short Rivet	37.	1	Sling	67.	1	-
8.	1	Left Bolt Rail	38.	1	Rear Base Sling	68.	1	Front Guide Retainer
9.	1	Right Bolt Rail	39.	1	Buttplate	69.	1	Lower Handguard Clamp
10.	1	Rear Trunnion	40.	1	Buttplate Cover Base	70.	1	Gas Cylinder
11.	2	Long Rivet	41.	1	Buttplate Cover	71.	1	Gas Cylinder Breech
12.	1	Long Rivet	42.	1	Buttplate Cover Pin	72.	1	Upper Handguard Back Piece
13.	1	Extractor Base	43.	1	Buttplate Cover Spiring	73.	1	-
14.	1	Magazine Catch	44.	2	Rear Base Sling Screw	74.	1	Upper Handguard Spring
15.	1	Magazine Catch Pin	45.	4	Tang Screw	75.	1	Upper Handguard Wood
16.	1	Magazine Catch Spring	46.	1	Pistol Grip	76.	1	Barrel Bushing
17.	1	Barrel Pin	47.	1	Pistol Grip Screw	77.	1	Cleaning Rod
18.	1	Rear Sight Spring	48.	1	Pistol Grip Base	78.	1	Receiver Cover
19.	1	Rear Sight Leaf	49.	1	Hammer	79.	1	Retainer Cover
20.	1	Rear Sight Elevating Slide	50.	2	Hammer Pin	80.	1	Magazine
21.	1	Rear Sight Elevating Slide Catch	51.	1	Hammer Spring	81.	1	Spring Lock Plate
22.	1	Slide Catch Spring	52.	1	Hammer Pin Retainer Spring	82.	1	Spring Lock
23.	1	Barrel	53.	1	Trigger	83.	1	Follower
24.	1	Rear Sight Base	54.	1	Sear	84.	1	Magazine Spring
25.	1	Handguard Latch	55.	1	Sear Spring	85.	1	Buttstock
26.	1	Rear Sight Base Pin	56.	1	Safety Lever 1	86.	1	Lower Handguard Wood
27.	1	Lower Handguard Band	57.	1	Bolt	87.	1	Ejector
28.	1	Lower Handguard Lock	58.	1	Bolt Lever	88.	2	Ejector Screw
29.	1	Gas Port Block	59.	2	Bolt Lever Pin	89.	1	Cap
30.	1	2 Front Sight Base Pin	60.	1	Firing Pin			

## Pistol

#	QTY.	DESCRIPTION	#	QTY.	DESCRIPTION	#	QTY.	DESCRIPTION
1.	1	Receiver Shell	31.	1	Sear Spring	61.	1	Buffer
2.	1	Left Bolt Rail	32.	1	Ejector	62.	2	Rear Recoil Spring Guide
3.	1	Right Bolt Rail	33.	2	Screw	63.	1	Rear Spring Guide Breech
4.	1	Front Trunnion	34.	1	Sling Screw	64.	1	Recoil Spring
5.	1	Safety Lever Stop	35.	1	Sling Support	65.	1	Front Guide Retainer
6.	1	Trigger Guard	36.	1	Sling	66.	1	Rear Sight
7.	6	Short Rivet	37.	1	Pistol Grip	67.	1	Screw
8.	1	Short Rivet	38.	1	Pistol Grip Screw	68.	2	Side Rail
9.	2	Short Rivet	39.	1	Pistol Grip Base	69.	4	Screw
10.	1	Rear Trunnion	40.	1	Receiver Cover	70.	1	Handguard
11.	2	Long Rivet	41.	1	Cover Guide	71.	1	Beretta® Adapter
12.	1	Long Rivet	42.	1	Retainer Cover	72.	1	Magazine Catch
13.	1	Extractor Base	43.	1	Cover Hinge	73.	1	Magazine Catch Spring
14.	1	Magazine Catch	44.	1	Cover Rail	74.	1	Handguard Extension
15.	1	Magazine Catch Pin	45.	4	Screw	75.	1	Screw
16.	1	Magazine Catch Spring	46.	1	Pin	76.	1	Nut
17.	1	Barrel	47.	1	Safety Lever 1	77.	1	Magazine
18.	1	Rear Sight Base	48.	1	Safety Lever Washer 2			
19.	1	Rear Sight Base Pin	49.	1	Safety Lever 2			
20.	1	Front Sight Base	50.	1	Safety Lever Washer 3			
21.	1	Front Sight Adjusting Block	51.	1	Bolt			
22.	1	Front Sight	52.	1	Pseudo-Piston			
23.	2	Front Sight Base Pin	53.	1	Pin			
24.	1	Barrel Pin	54.	1	Bolt Lever			
25.	1	Hammer	55.	2	Bolt Lever Pin			
26.	2	Hammer Pin	56.	1	Firing Pin			
27.	1	Hammer Spring	57.	1	Firing Pin Spring			
28.	1	Hammer Pin Retaining Spring	58.	1	Extractor			
29.	1	Trigger	59.	1	Extractor Spring			
30.	1	Sear	60.	1	Extractor Pin			

# WARRANTY CONDITION

The manufacturer guarantees that our products are scrupulously checked against defects in materials, workmanship, aesthetics and functioning problems.

In case you find a defect in one of our products, you should immediately contact Chiappa Firearms or where you have bought your gun. All warranty work will be performed by Chiappa Firearms.

**⚠ ATTENTION:** All customers returning product for warranty service must first obtain a return authorization from Chiappa Firearms. The request for a return authorization may be obtained through our web site, email or phone. Information required is name and address, model, serial number, and defect. It is the customer's responsibility for adequately packaging the product to prevent shipping damage.

The Charles Daly 5-year warranty for two years after the purchase date. Free parts and labor for defects which have been found during use; wear of parts which shouldn't be subject to wear, or excessive wear of parts subject to wear and further supply free parts for an additional 3 years except for wood. Wood is covered for 1 year. The customer must provide evidence of the purchase date with a receipt or other valid proof.

In case the defect under cover of guarantee is not repairable, the manufacturer will provide for a free substitution of the weapon.

**THE MANUFACTURER RESERVES THE RIGHT OF DEFINING THE TYPE OF DEFECT OF THE FIREARM AND THEREFORE TO STATE WHETHER THE DEFECT IS COVERED BY GUARANTEE. THE MANUFACTURER'S DECISION WILL BE FAIR BUT FINAL**

The manufacturer will be allowed a timing of 60 days for repair under guarantee, and 90 days for free substitution.

**SHOULD THE MANUFACTURER BECOME AWARE OF A DEFECT OF A PRODUCT DURING THE GUARANTEE PERIOD, THE DEFECTIVE PART WILL BE REPLACED FREE OF CHARGE.**

**The guarantee does not cover parts subject to wear and corrosion.**

**⚠ ATTENTION:** Delivery expenses to and from the service center are not covered by the guarantee and will be charged to the customer.



## **THE GUARANTEE IS VOID IN CASE:**

- Inadequate ammunition has been used (any ammunition but those commonly on sale, reloaded ammunition, different from caliber and specification indicated on the firearm barrel)
- The firearm failed to be provided proper maintenance and cleaning
- The firearm has been modified without our prior consent
- Unauthorized, inadequate or incorrect repairs have been carried out
- Non original spare parts were used
- Parts subject to wear and corrosion
- Damage (improper use of the gun by the user)
- Expired guarantee

**In the above cases the repair, if completed, will be charged to the customer.**

In case, for any valid reason, you do not have the possibility to obtain repair under guarantee at the shop where you bought the firearm, you may contact us directly for warranty service or questions:

**USA | Phone:** +1.937.835.5000 | **Email:** info@chiappafirearms.com

**CANADA | Phone:** +1.778.426.3884 | **Email:** murray.mdcent@gmail.com (Murray Charlton)

**REST OF THE WORLD | Phone:** +39.030.9749065 | **Email:** info@chiappafirearms.com

**THIS MANUAL MUST ALWAYS FOLLOW THE FIREARM,  
ALSO IN THE EVENT OF NEW OWNERSHIP.**

### **Procedure for the use of warranty:**

1. Register your firearm in the proper section of our website: <http://www.charlesdaly.com>
2. Contact the gun shop where the product was bought, or the Chiappa Firearms facility for USA, Canada or Rest of the World as indicated above. You will receive a RMA number and the instructions to return the gun.
3. Fill in the attached form, which will accompany the return firearm. Don't forget to include the RMA number, a description of the defect and a copy of the proof of the purchase indicating the purchase date.
4. Ship the weapon to Chiappa Firearms in its original packing, according to the instructions you have received.

**⚠ ATTENTION:** The returned firearm must be protected with adequate packaging; any damages occurred during transportation and handling will be the customer's responsibility.

# REQUEST FORM

## CUSTOMER DATA

RMA#: \_\_\_\_\_

Name: \_\_\_\_\_

Address: \_\_\_\_\_

City: \_\_\_\_\_ State: \_\_\_\_\_ Zip: \_\_\_\_\_

Phone: \_\_\_\_\_ Best Time to Call: \_\_\_\_\_

Email: \_\_\_\_\_

## PRODUCT INFORMATION

Model: \_\_\_\_\_

Serial #: \_\_\_\_\_

## GUN SHOP / DEALER

Purchase Date: \_\_\_\_\_

Dealer Name: \_\_\_\_\_

Dealer Address: \_\_\_\_\_

## DESCRIPTION OF DEFECT

---

---

---

(Please attach Proof of Purchase with date.)



# Charles Daly®

The Shooting Sports Specialist™

CHARLESDALY.COM

---

EXCLUSIVELY DISTRIBUTED BY:

**CHIAPPA**®  
firearms

1415 Stanley Ave., Dayton, OH 45404

T: 937-835-5000 F: 888-705-4570

CHIAPPAFIREARMS.COM